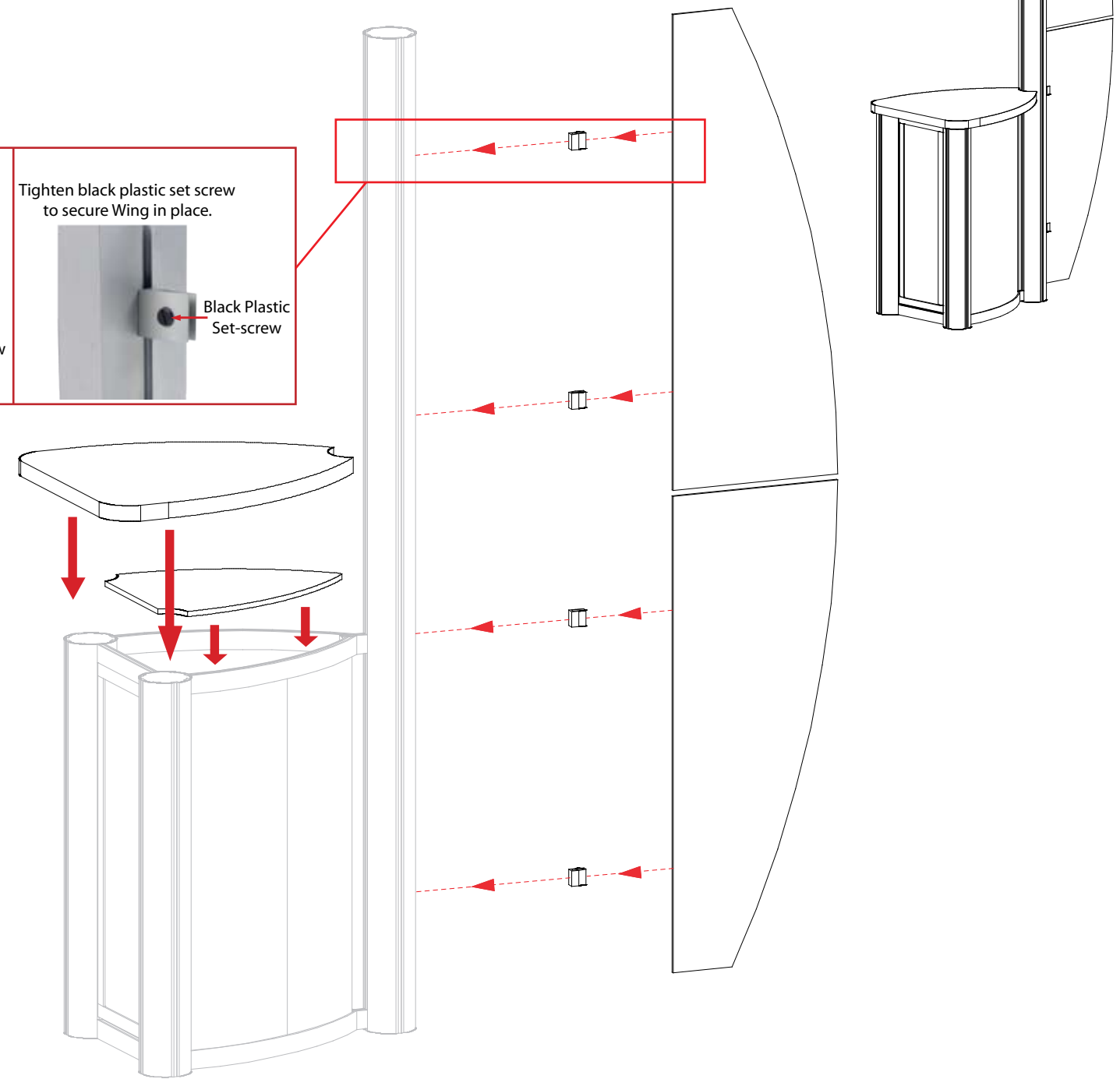
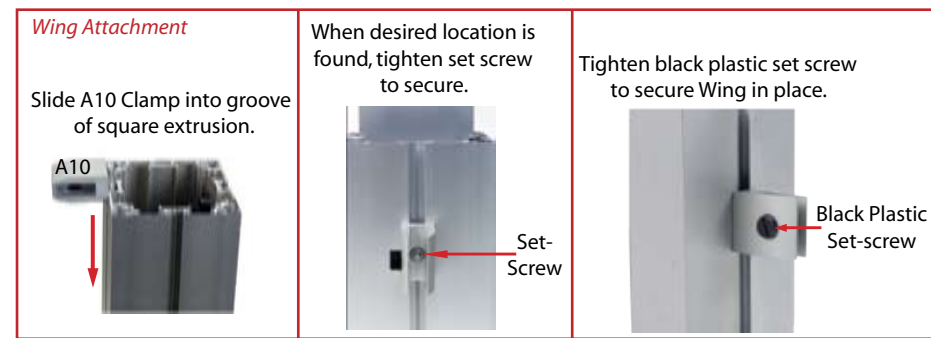
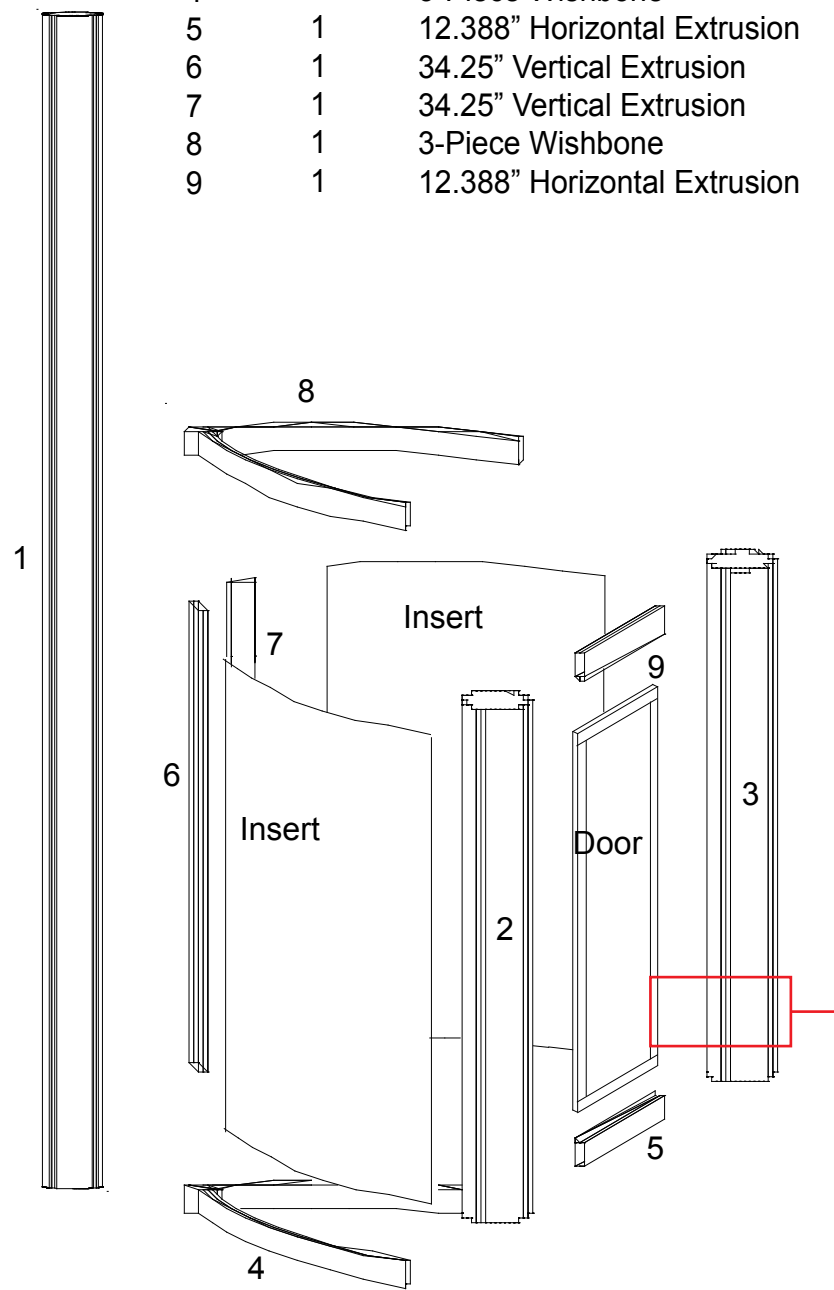




| Item | Quantity | Description |
|------|----------|-----------------------------------------------|
| 1 | 1 | 96" Round Vertical Extrusion |
| 2 | 1 | 38" Round Vertical Extrusion w/ Door hardware |
| 3 | 1 | 38" Round Vertical Extrusion w/ Door hardware |
| 4 | 1 | 3-Piece Wishbone |
| 5 | 1 | 12.388" Horizontal Extrusion |
| 6 | 1 | 34.25" Vertical Extrusion |
| 7 | 1 | 34.25" Vertical Extrusion |
| 8 | 1 | 3-Piece Wishbone |
| 9 | 1 | 12.388" Horizontal Extrusion |

Steps:

- 1) Attach lower 12.388" horizontal extrusion [5] to bottom of 38" round vertical extrusions [2 and 3].
- 2) Attach lower 3-piece wishbone [4] to bottom of 38" round vertical extrusions [1, 2 and 3], as seen below.
- 3) Attach 34.25" vertical extrusions [6 and 7], to 3-piece wishbone [4], place Inserts and door as shown.
- 5) Attach upper 12.388" horizontal extrusion [9], to top of 38" round vertical extrusions [2 and 3].
- 6) Attach upper 3-piece wishbone [8], to top of 38" round vertical extrusions [1, 2 and 3].
- 7) Set Internal shelf atop Velcroed supports then place Counter atop assembled Pedestal.
- 7) Attach A10's to vertical extrusion [1] and then attach wings.



WHEN DISASSEMBLING ALUMINUM EXTRUSION, TIGHTEN ALL SETSCREWS AND LOCKS TO PREVENT LOSS DURING SHIPPING



General Setup Instructions for Panel System

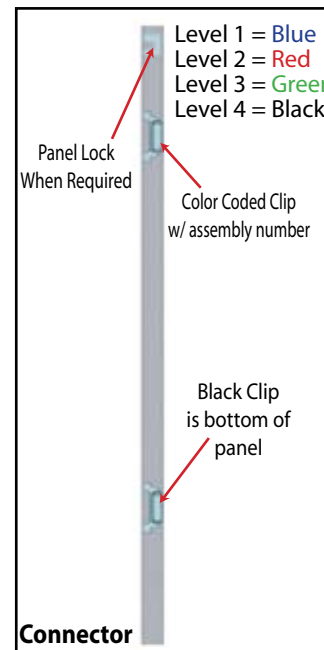
Using Your Setup Instructions

The Euro LT Hybrids Setup Instructions are created specifically for your configuration. They are laid out sequentially in levels, including exploded views, and a logical series of detailed steps to assemble the main structure and components. We encourage you to study the instructions **before** attempting to assemble your exhibit.

Each page reminds you to tighten the setscrews after disassembling your exhibit to prevent loss of the locks and setscrews (see below in RED). This is VERY IMPORTANT.

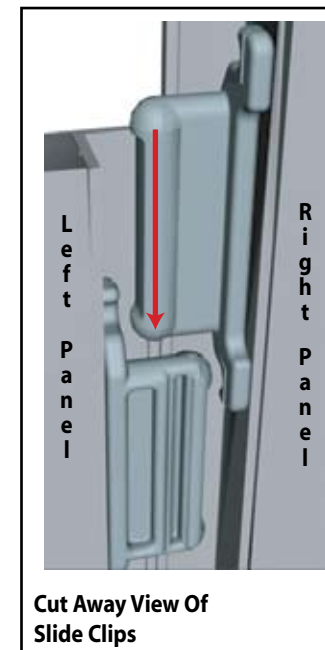
Cleaning and Packing Your Display

- 1) Use care when cleaning aluminum extrusion or acrylic inserts. Use only non-abrasive cleaners.
- 2) When cleaning laminate inserts, countertops, or panels use mild cleansers and a soft material such as cotton.
- 3) Keep all display components away from extreme heat and long exposure to sunlight to avoid warping and fading.
- 4) Retain all packing material. It will make re-packing much easier and will reduce the likelihood of shipping damage.



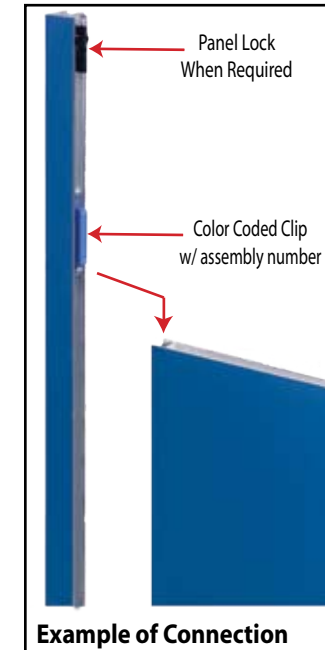
Connector

Each component has 2 clips, the lower clip is ALWAYS black. The top clip is color coded to distinguish the level. The color coded clip also contains the numbered label.



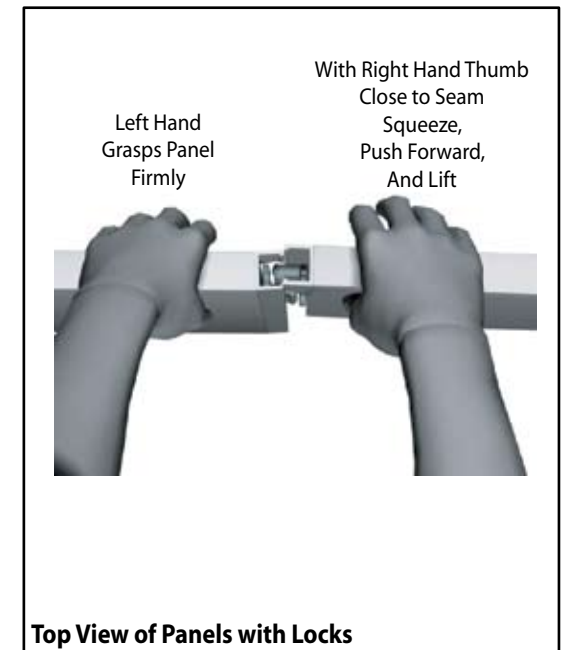
Cut Away View Of Slide Clips

Components connect together by aligning them and sliding downward connecting clips together.



Example of Connection

Configurations are assembled from left to right, usually starting with #1 and following the numbered sequence.



Top View of Panels with Locks

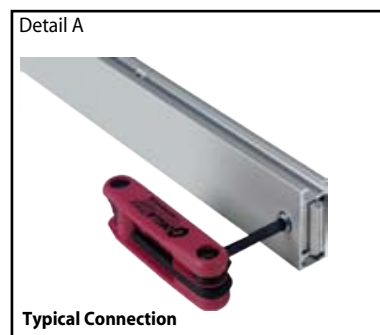
The first level of components contains panel locks that are located at the top of the panel for extra stability and a seamless connection. When disassembling panels, twist top connection slightly and lift right panel upward.

General Setup Instructions for Extrusion System



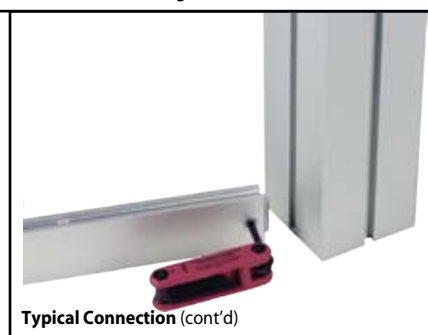
The Tool

Most exhibits can be assembled with the supplied Hex Key Tool. Occasionally, a flat head screwdriver may be required.

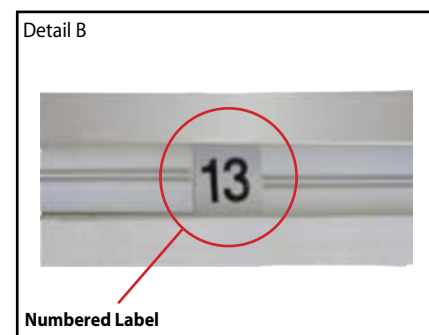


Typical Connection

Most horizontal extrusion connections have a patented expandable lock. This lock inserts into the groove of an opposing extrusion. Tightening the lock with the Hex Key Tool expands the lock and creates a strong positive connection.

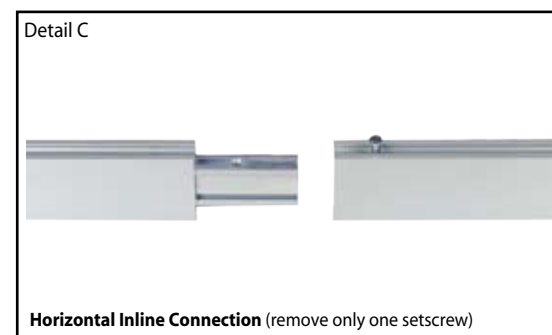


Typical Connection (cont'd)



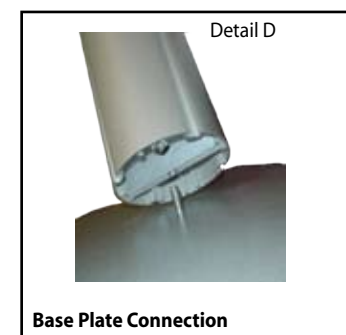
Numbered Label

Each extrusion contains a numbered label which corresponds with setup instructions. The label is located within a groove of the extrusion (when possible). With extrusion components the labels contain Black numbers unless otherwise specified.



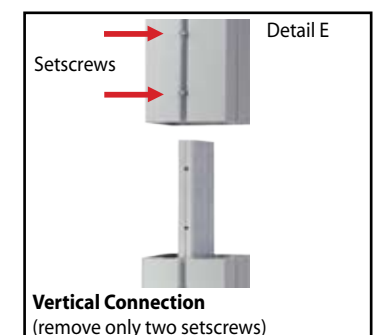
Horizontal Inline Connection (remove only one setscrew)

Remove only (1) setscrew when disassembling. Replace setscrew in extrusion after assembling it. Before packing, replace setscrew in extrusion to avoid losing it.



Base Plate Connection

Attach base plate to round or square vertical extrusion using the bolt provided. Be careful not to strip the threads.



Vertical Connection (remove only two setscrews)

When vertical extrusions are packed in portable cases rather than crates or tubs, they must be broken down into smaller sections which then require assembly.

Remove only (2) setscrews when disassembling. Replace setscrews in extrusion after assembling it. Before packing, replace setscrews in extrusion to avoid losing them.

WHEN DISASSEMBLING ALUMINUM EXTRUSION, TIGHTEN ALL SETSCREWS AND LOCKS TO PREVENT LOSS DURING SHIPPING